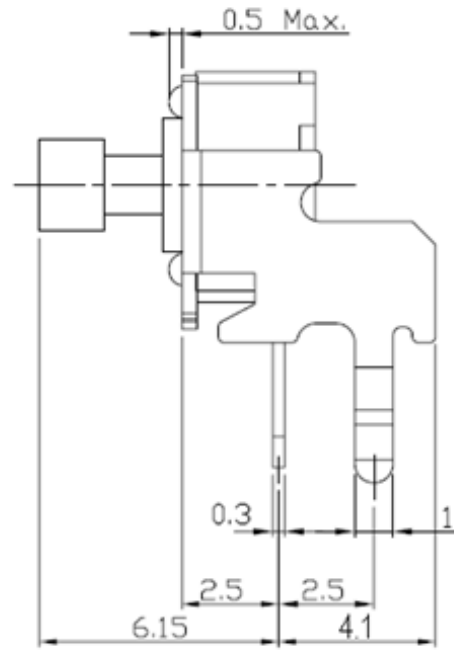
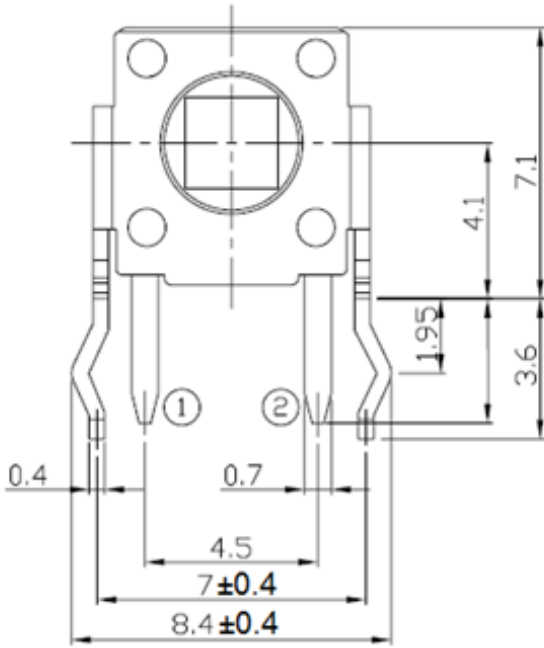
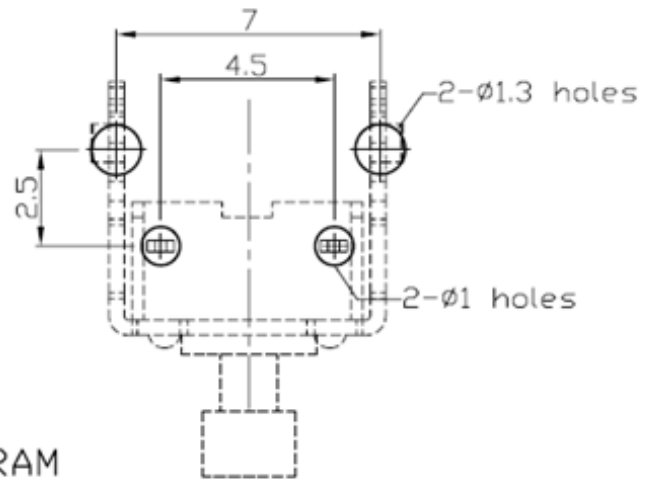
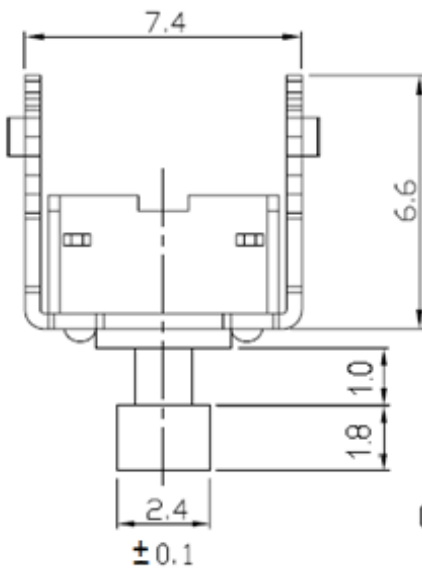


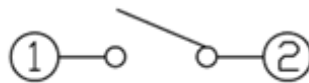
DIMENSIONS



P.C.B MOUNTING PATTERN DIMENSION
The following soldering patterns are recommended for reflow soldering



CIRCUIT DIAGRAM



NOTE:

1. RATING : DC 12V 50mA
2. TRAVEL : 0.25±0.1 mm
3. OPERATING FORCE :
a. 160±30gf(N)
b. 260±50gf(R)
4. CONTACT RESISTANCE : 100mΩ MAX.
5. OPERATING LIFE : 100,000 CYCLES
6. General Tolerance:±0.3

5	CONTACT	PHOSPHOR BRONZE	1	Ag plate
4	TERMINAL	BRASS	1	
3	STEM	PolyAmide	1	
2	COVER	BRASS	1	
1	CASE	PolyAmide	1	
NO	PARTS NAME	MATERIAL	Q'TY	FINISHING



銓基電子股份有限公司
ROKI ELECTRONICS CO., LTD.

PART NAME : TACT SWITCH

SCALE :

PART NO : TS02S-D□-S2-PF

UNIT : mm

TOLERANCE : ±0.3mm



VER : R01